



Main Features:-

- ◆ Check Valve Re Ge Plus Type
- ◆ 1/2" to 4" PN12 (PN18 to 2", PN25 to 1")
- ◆ NPT F-F Ends
- ◆ Working Temperature -20 to + 110C *
- ◆ Horizontal, vertical or oblique position

*Temperature and pressure determined by medium



Suitable Applications & Approvals:



HVAC



OIL



GAS



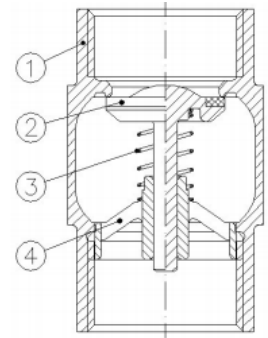
INDUSTRY

SERIES: 80608

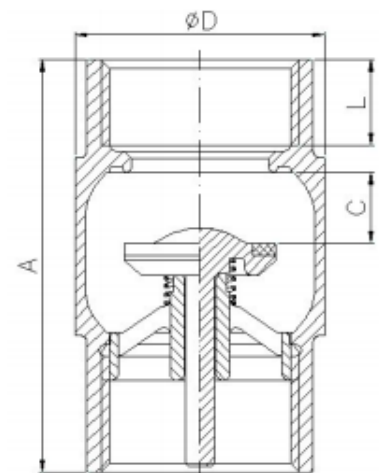
MANUFACTURER: **GENEBRE**

VALVE MATERIALS & DIMENSIONS

ITEM	SECTION	MATERIAL	ADDITIONAL INFO / OPTIONS
1	Body	Brass	Peened + Machining
2	Plate	Brass + NBR	Machining
3	Spring	AISI 316	n/a
4	Ring	Brass	Machining



REF	SIZE	PN	A	ØD	L	C	Kg
80608-04	1/2"	25	55	27.5	12	9.5	0.110
80608-05	3/4"	25	63	34.5	13	11	0.185
80608-06	1"	25	70	42	14.5	12	0.285
80608-07	1 1/4"	18	76	51.5	15	13.5	0.405
80608-08	1 1/2"	18	83	62.5	16.5	14	0.590
80608-09	2"	18	90	78	17.5	16	0.885
80608-10	2 1/2"	12	118	100	22	23	1.905
80608-11	3"	12	128	121	24	24	2.720
80608-12	4"	12	144	150	26	27.5	4.485



T +44 (0)1386 552369

E sales@allvalves.co.uk

W www.allvalves.co.uk

F +44 (0)1386 554227



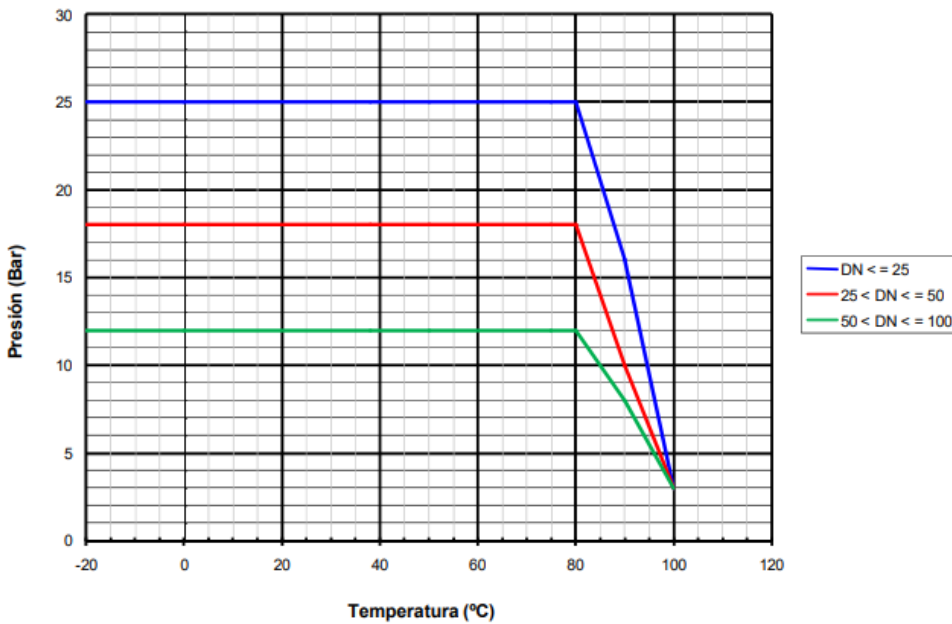


Genebre are a global brand of industrial valves with large stocks held for fast delivery on various type of valves, sizes, end connections and materials.

SERIES: 80608

PRESSURE AND TEMPERATURE CHART

ALL VALVES



AllValves Online™ have used decades of experience in the valve industry to select a range of products that match the Allvalves Online ethos - value for money. All Valves Products are from reputable sources and have been sold in significant quantities for many years, are installed in a wide variety of applications, and are known to be durable in service.

TORQUE / Kv VALUES / PRESSURE & TEMP CHART



T +44 (0)1386 552369

E sales@allvalves.co.uk

W www.allvalves.co.uk

F +44 (0)1386 554227